



ARROW V2

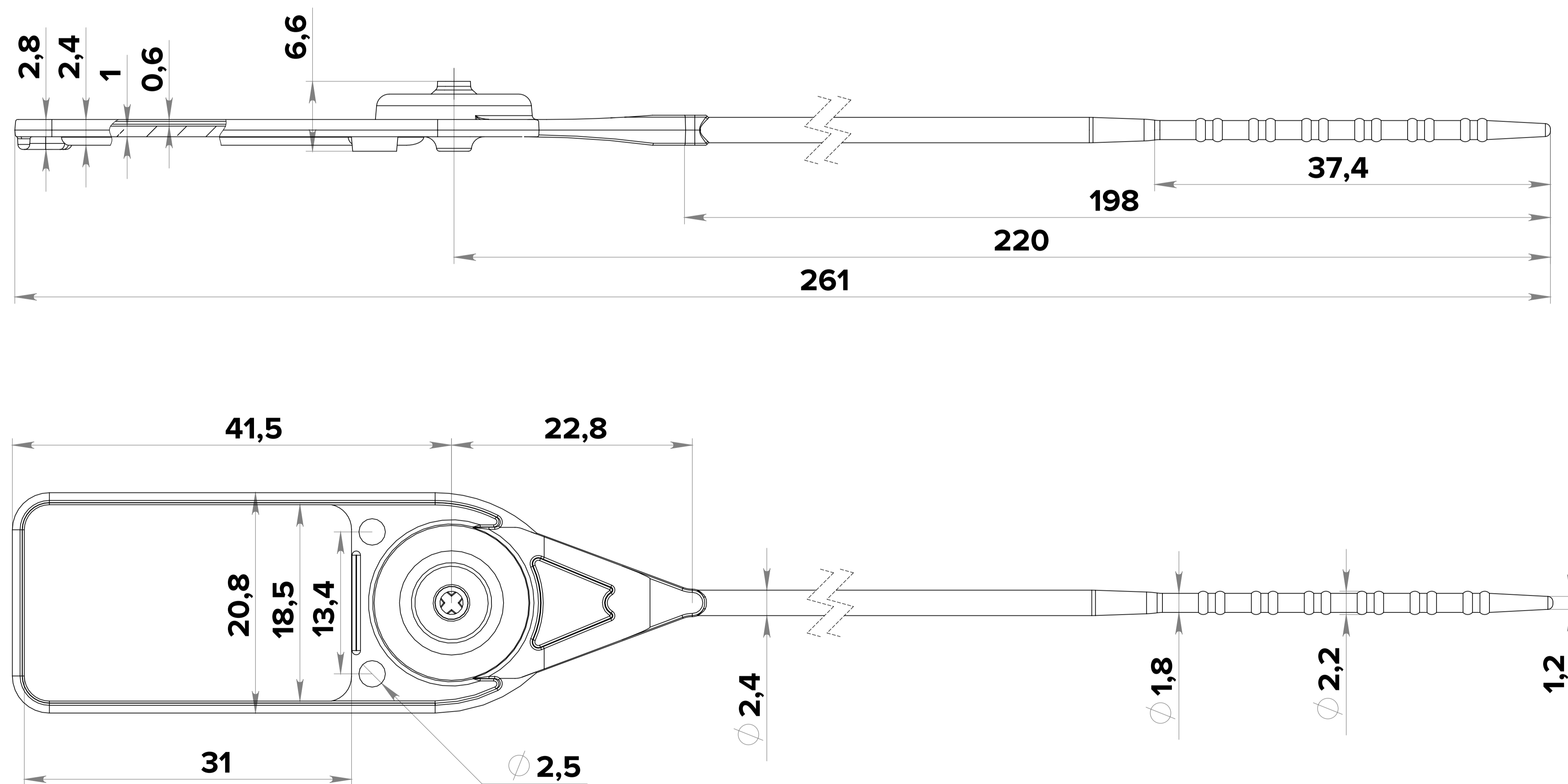
TAMPER-EVIDENT TIGHTENING SEAL

Description:

- Made of propylene
- Company logo and 8-digit sequential numbering
- Operation temperature: -50°C / +120°C
- Collet of unique design made of stainless, spring steel
- Additional technological holes for the seal tail
- Laser marking through the thickness of the material
- The cap glows under UV light
- The number is marked on both the case and the cap



Color options:



| Package: | Size: | Quantity: | Weight: |
|----------|-----------------------------------|------------------|------------------------------|
| Box | 270×190×370mm (10.63×7.48×14.57") | 0100-1,000 pcs. | 0-3.7 kg (0-8.16 lbs.) |
| Box | 380×285×335mm (15×11.2×13.2") | 1,000-2,000 pcs. | 3.7-5.5 kg (8.16-12.13 lbs.) |