



TIGHTENING SEAL

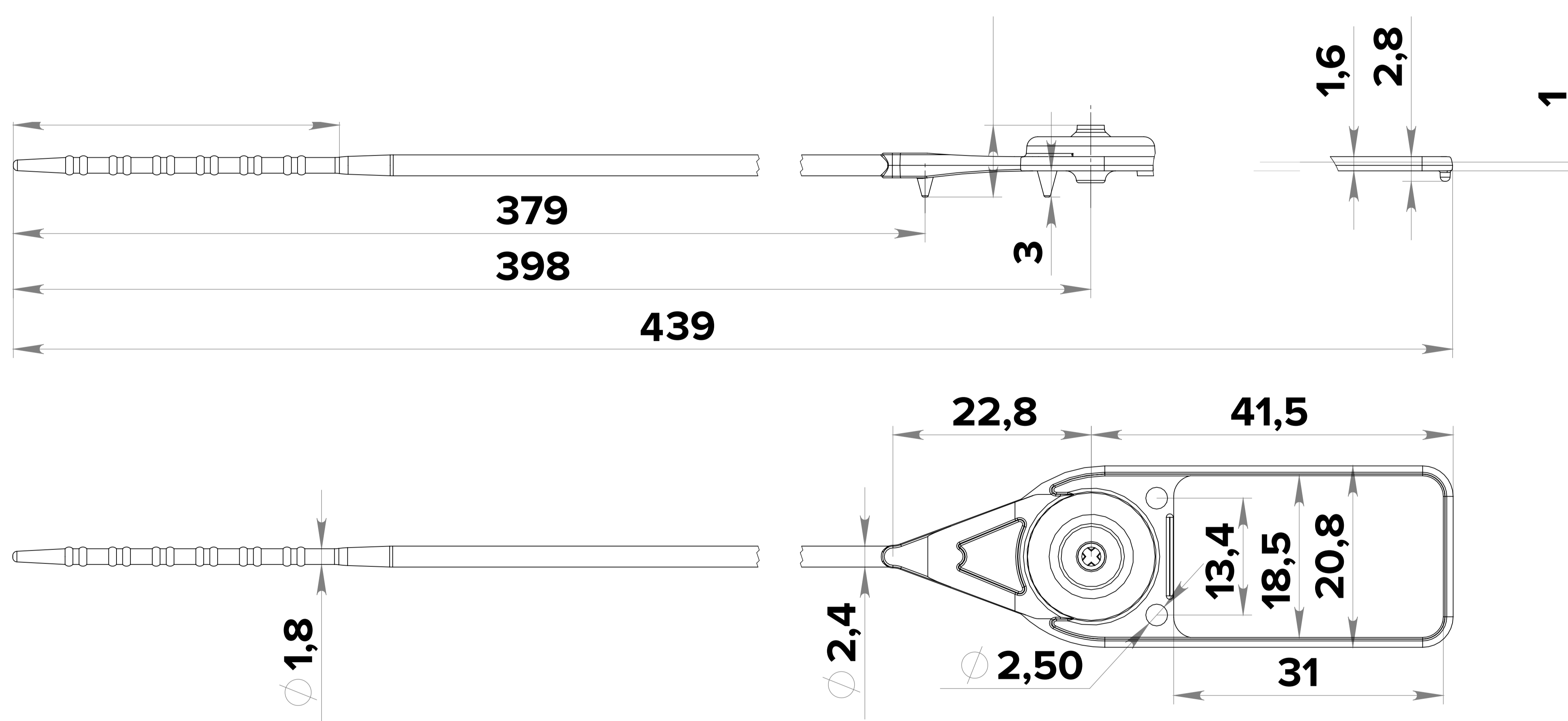


BLACK PRINCE

TAMPER-EVIDENT TIGHTENING SEAL

Description:

- Made of propylene
- Operation temperature: -50°C / +120°C
- Collet of unique design made of stainless, spring steel
- Company logo and 8-digit sequential numbering
- Laser marking through the thickness of the material
- Additional technological holes for the seal tail
- The cap glows under UV light
- Operating length of the seal: 385 mm (15.16")



| Package: | Size: | Quantity: | Weigh: |
|----------------|------------------------------------|------------------|------------------------------|
| Package | - | 100 pcs. | - |
| Corrugated box | 450×330×220mm (17.72×12.99×8.66") | 0100-1,000 pcs. | 0-3.7 kg (0-8.16 lbs.) |
| Corrugated box | 460×360×330mm (18.11×14.17×12.99") | 1,000-2,000 pcs. | 3.7-7.2 kg (8.16-15.87 lbs.) |