



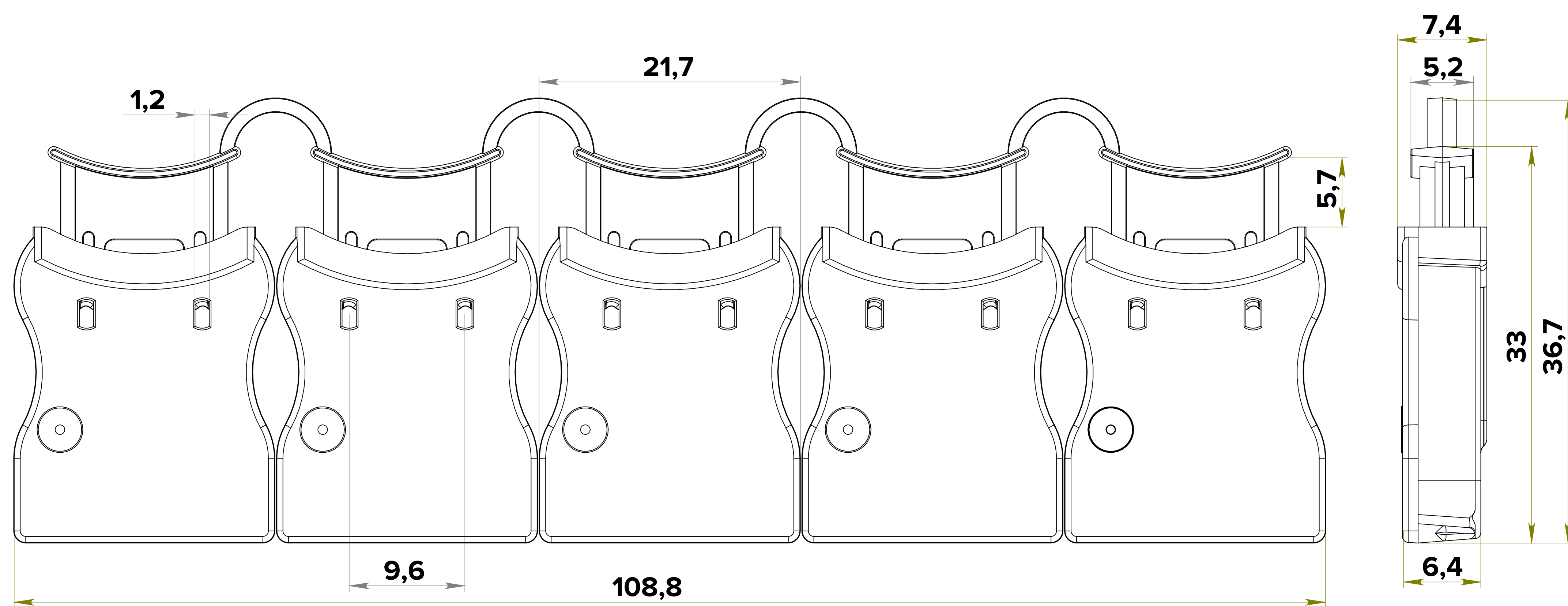
CARAT

TAMPER-EVIDENT LATCH SEAL

Description:

- Made of polycarbonate
- Company logo and 8-digit sequential numbering
- Operation temperature: -50°C / +120°C
- Symmetrical dovetail - 4 elements
- Laser marking through the thickness of the material
- All elements of the lock and their integrity are visible
- Glowing under the UV light

Color options:



| Package: | Size: | Quantity: | Weight: |
|----------|----------------------------------|------------------|------------------------------|
| Box | 310×210×140mm (12.21×8.27×5.51") | 0001-750 pcs. | 0-2.1 kg (0-4.63 lbs.) |
| Box | 270×190×370mm (10.6×7.5×14.6") | 750-1,600 pcs. | 2.1-4.6 kg (4.63-10.14 lbs.) |
| Box | 380×285×335mm (15×11.2×13.2") | 1,600-3,600 pcs. | 4.6-10 kg (10.14-48.5 lbs.) |