



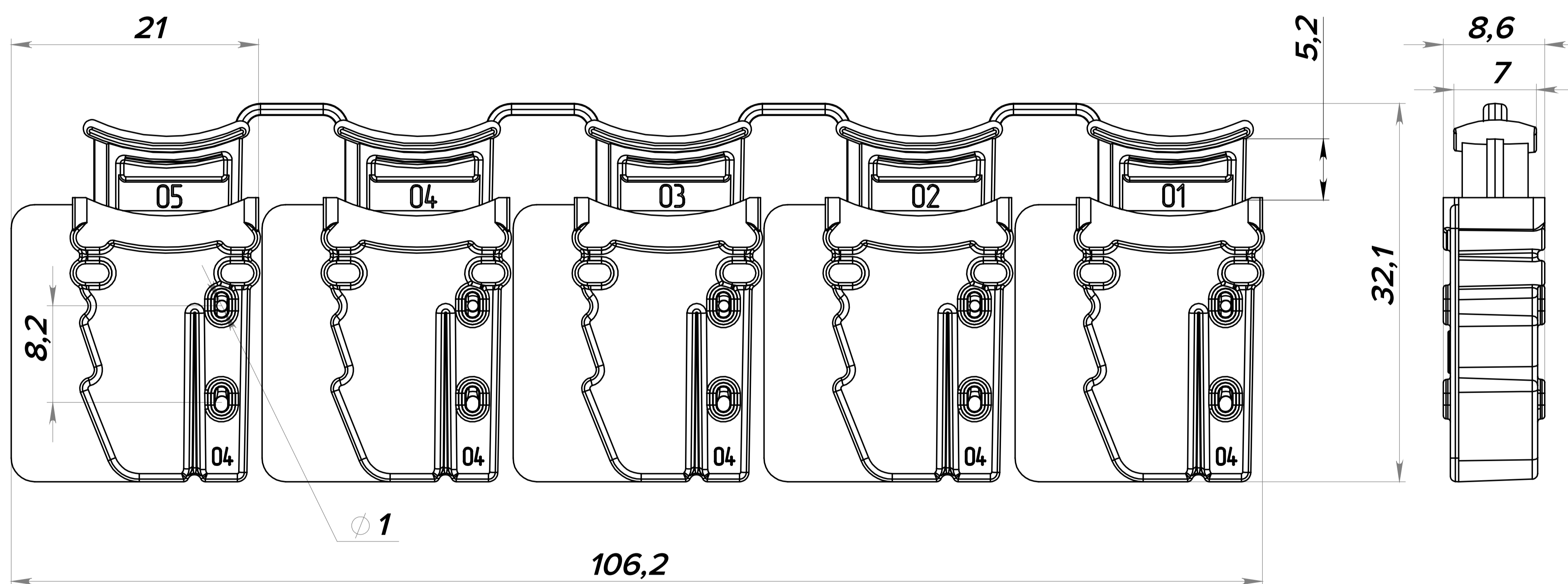
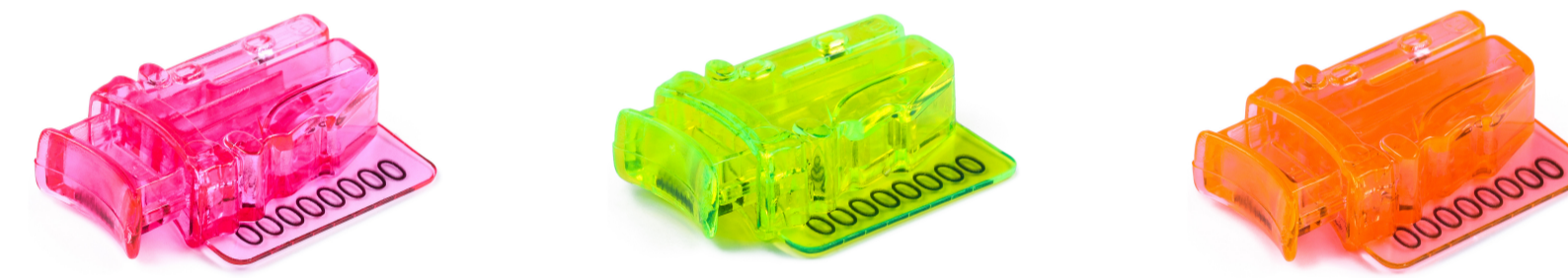
RUBIN

TAMPER-EVIDENT LATCH SEAL

Description:

- Made of polycarbonate
- Operation temperature: -50°C / + 120°C
- Company logo and 8-digit sequential numbering
- Laser marking through the thickness of the material
- All elements of the lock and their integrity are visible
- Locking mechanism: dovetail, 2 elements
- Glowing under the UV light (depends on colors)

Color options:



| Package: | Size: | Quantity: | Weigh: |
|------------|-----------------------------------|------------------|----------|
| Package of | - | 100 pcs | - |
| Box | 10×210×140mm (12.21×8.27×5.51") | 0100-750 pcs. | kg(lbs.) |
| Box | 270×190×370mm (10.63×7.48×14.57") | 750-1,600 pcs. | kg(lbs.) |
| Box | 380×285×335mm (15×11.2×13.2") | 1,600-3,600 pcs. | kg(lbs.) |